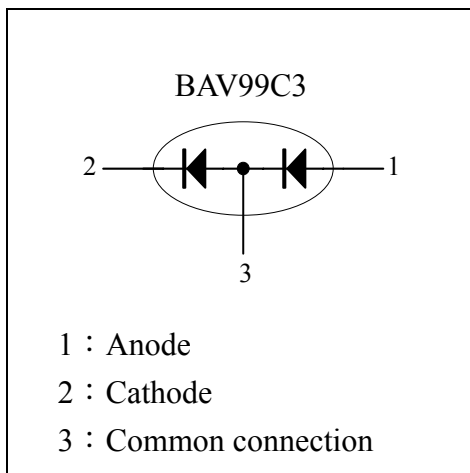
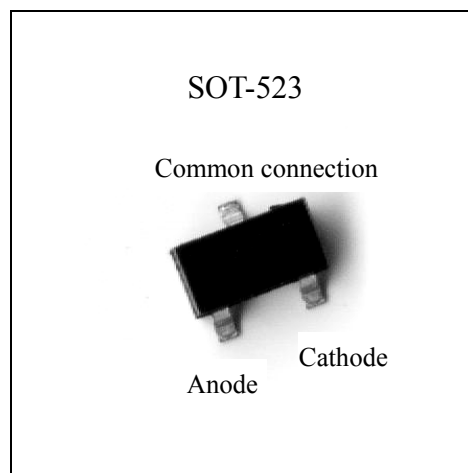


High –speed double diode

BAV99C3

Description

The BAV99C3 consists of two high-speed switching diodes connected in series, fabricated in planar technology, and encapsulated in the small SOT-523 plastic SMD package.

Equivalent Circuit**Outline****Features**

- Small plastic SMD package
- Reverse voltage: max. 100V
- Forward current: max. 75mA.
- Pb-free lead plating package

Applications

- High-speed switching in thick and thin-film circuits.



Absolute Maximum Ratings @TA=25°C

Parameters	Symbol	Min	Max	Unit
Reverse voltage	V_R	-	100	V
Forward current	I_O	-	75	mA
Total power dissipation	P_{tot}		150	mW
Junction Temperature	T_j	-	150	°C
Storage Temperature	T_{stg}	-65	+150	°C

Electrical Characteristics @ Tj=25°C unless otherwise specified

Parameters	Symbol	Conditions	Min	Typ.	Max	Unit
Reverse breakdown voltage	V_R	$I_R=1\mu A$	100	-	-	V
Forward voltage	V_F	$I_F=1mA$	-	-	715	mV
		$I_F=10mA$	-	-	855	mV
		$I_F=50mA$	-	-	1	V
		$I_F=150mA$	-	-	1.25	V
Reverse current	I_R	$V_R=25V$	-	-	30	nA
		$V_R=100V$	-	-	2	μA
Diode capacitance	C_D	$V_R=0V, f=1MHz$	-	-	1.5	pF
Reverse recovery time	t_{rr}	when switched from $I_F=10mA$ to $I_R=10mA, R_L=100\Omega$, measured at $I_R=1mA$	-	-	4	ns

Thermal Characteristics

Symbol	Parameter	Conditions	Value	Unit
$R_{th, j-a}$	thermal resistance from junction to ambient	Note 1	833	°C/W

Note 1: Device mounted on an FR-4 PCB.

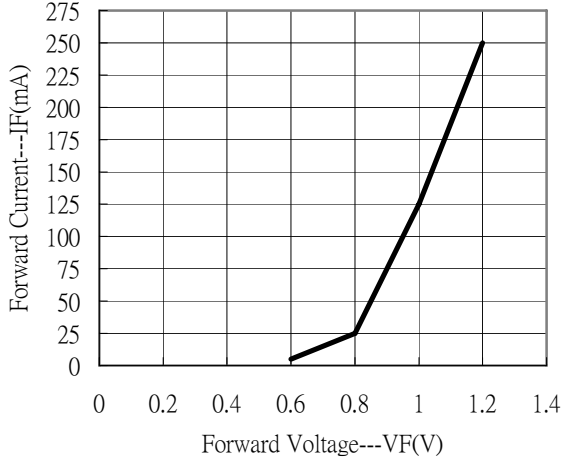
Ordering Information

Device	Package	Shipping	Marking
BAV99C3	SOT-523 (Pb-free)	3000 pcs / Tape & Reel	JE

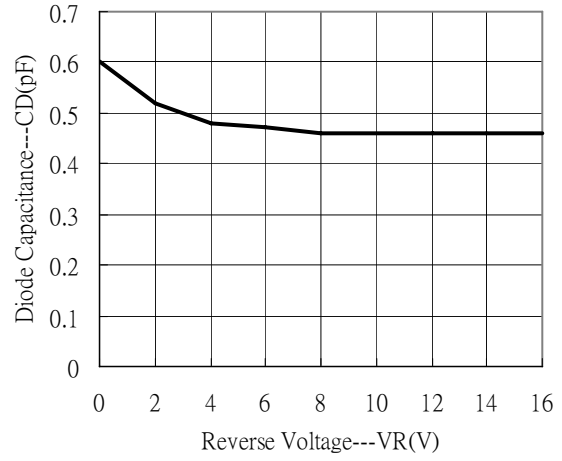


Characteristic Curves

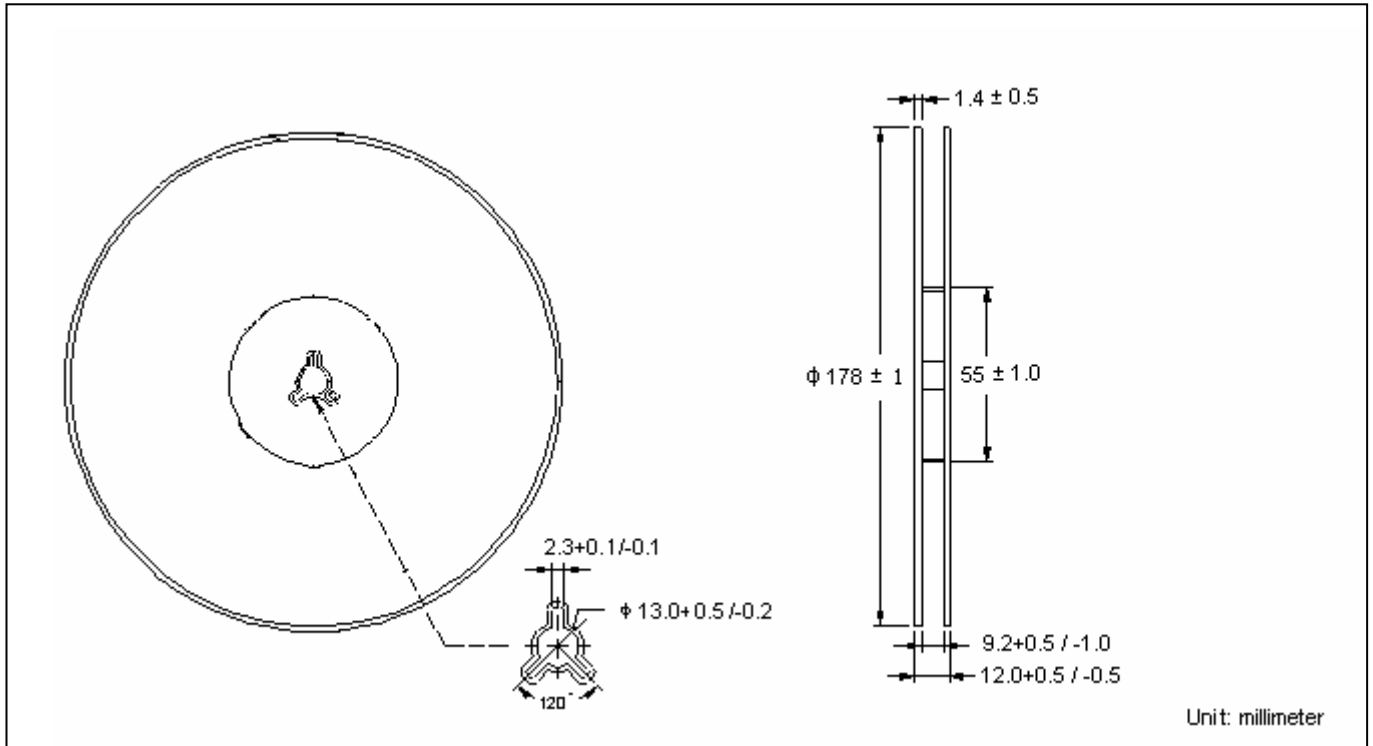
Forward Current vs Forward Voltage



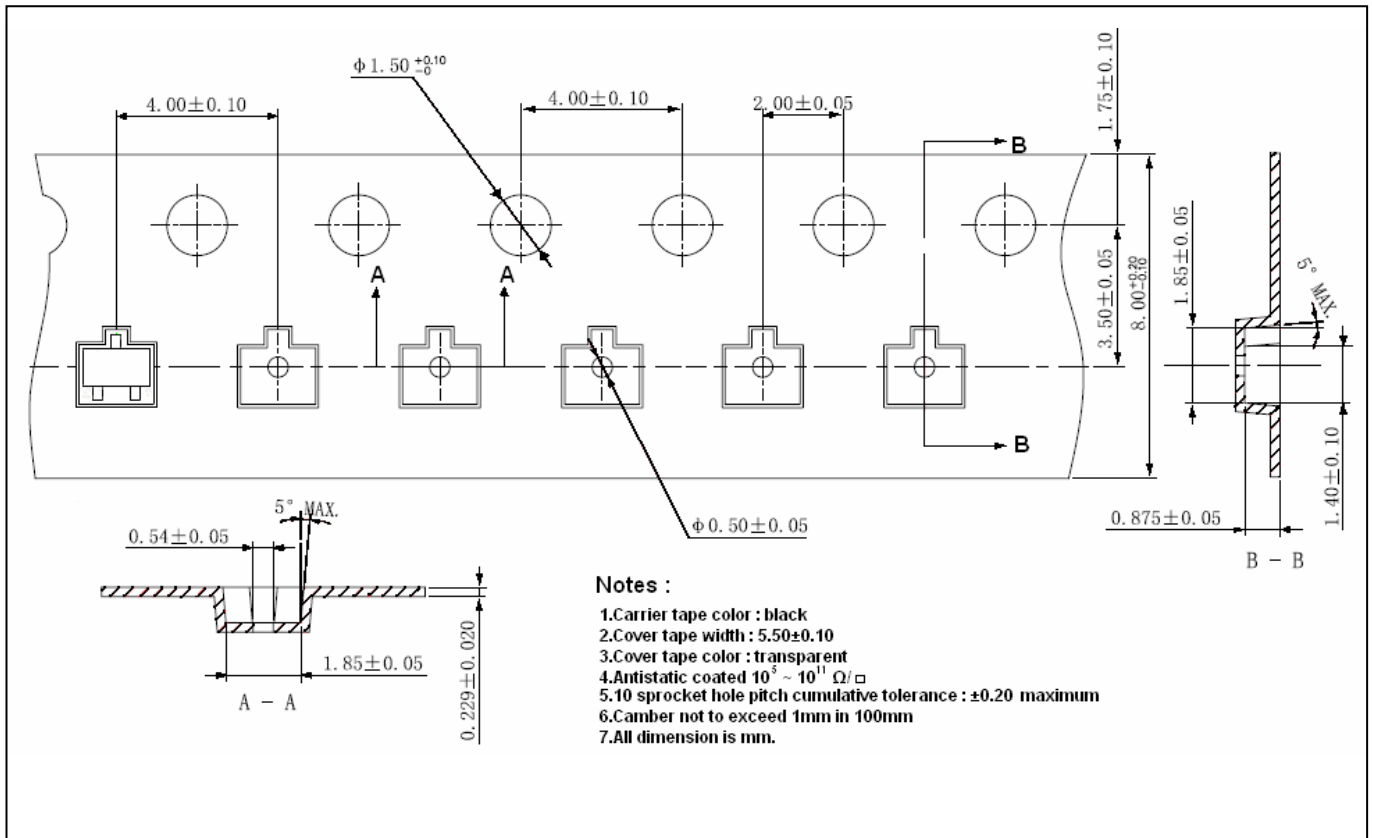
Diode Capacitance vs Reverse Voltage



Reel Dimension



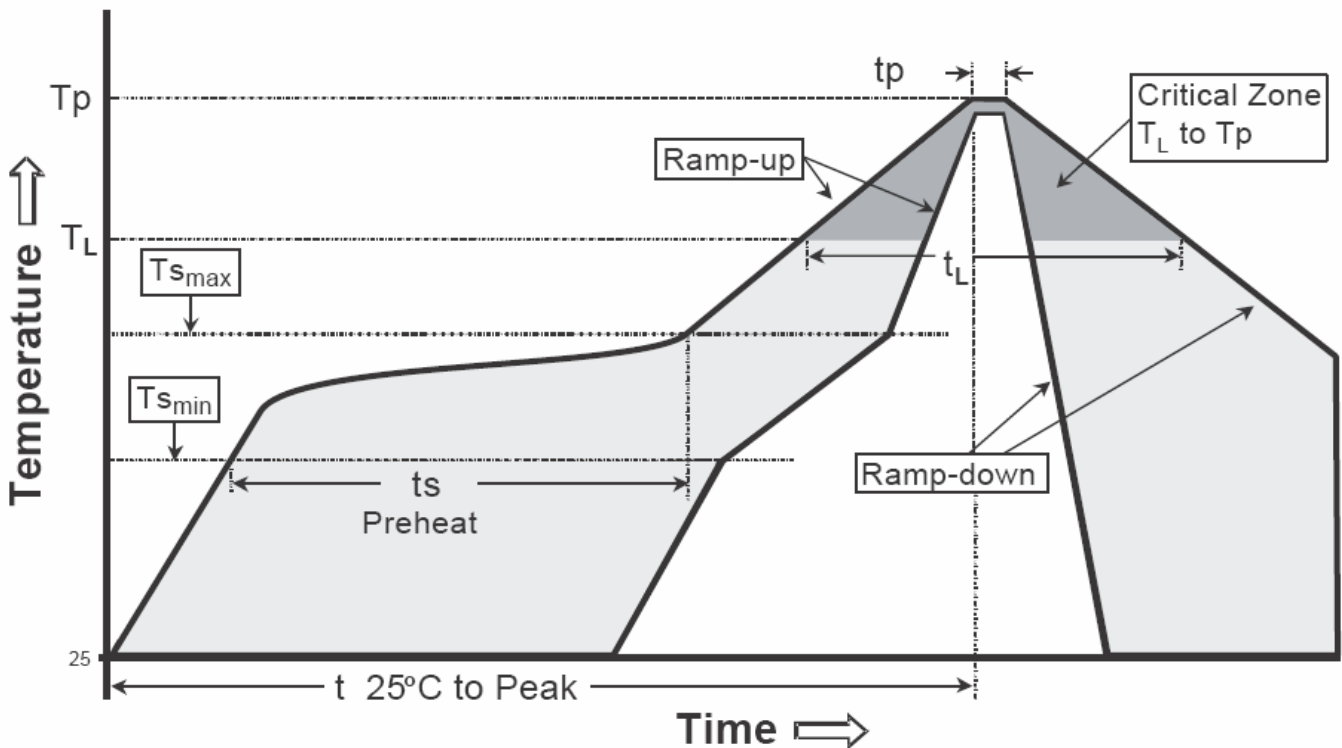
Carrier Tape Dimension



Recommended wave soldering condition

Product	Peak Temperature	Soldering Time
Pb-free devices	260 +0/-5 °C	5 +1/-1 seconds

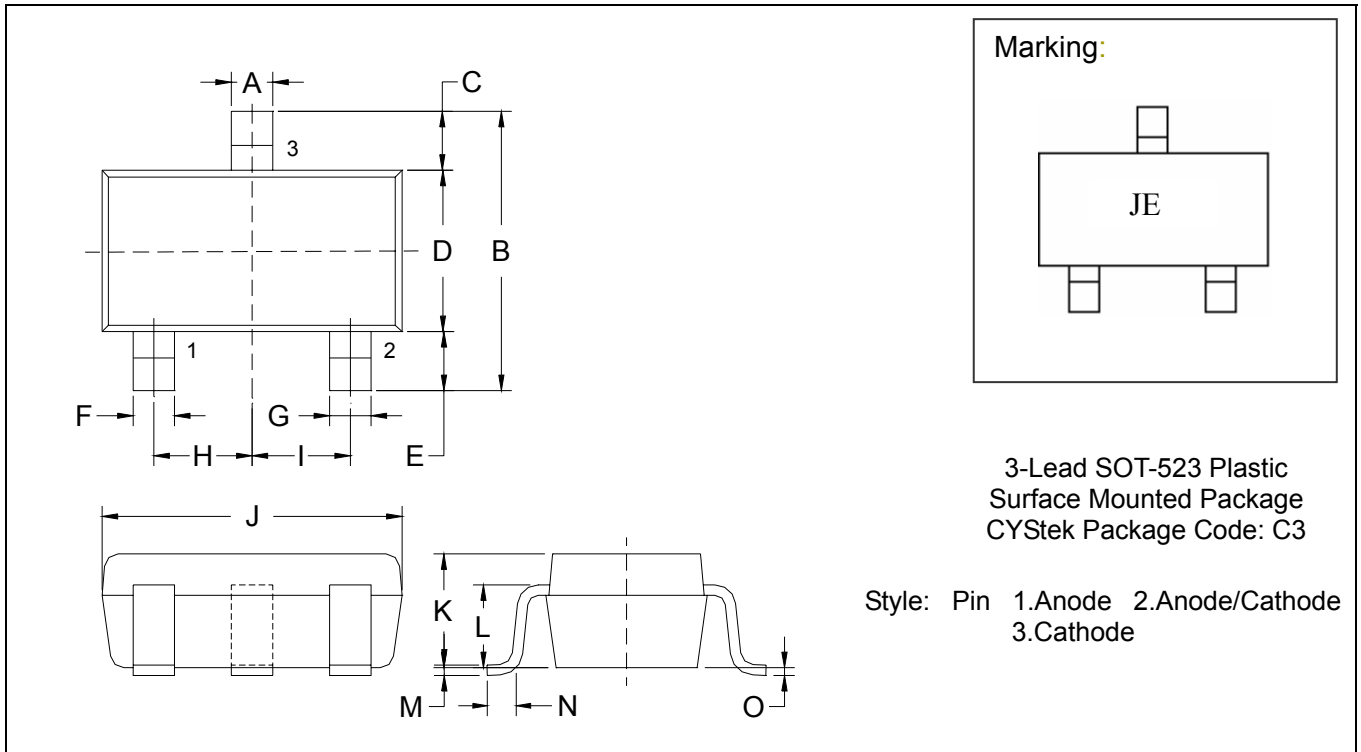
Recommended temperature profile for IR reflow



Profile feature	Sn-Pb eutectic Assembly	Pb-free Assembly
Average ramp-up rate (Tsmax to Tp)	3°C/second max.	3°C/second max.
Preheat		
-Temperature Min(Ts min)	100°C	150°C
-Temperature Max(Ts max)	150°C	200°C
-Time(ts min to ts max)	60-120 seconds	60-180 seconds
Time maintained above:		
-Temperature (TL)	183°C	217°C
- Time (tL)	60-150 seconds	60-150 seconds
Peak Temperature(TP)	240 +0/-5 °C	260 +0/-5 °C
Time within 5°C of actual peak temperature(tp)	10-30 seconds	20-40 seconds
Ramp down rate	6°C/second max.	6°C/second max.
Time 25 °C to peak temperature	6 minutes max.	8 minutes max.

Note : All temperatures refer to topside of the package, measured on the package body surface.

SOT-523 Dimension



*: Typical

DIM	Inches		Millimeters		DIM	Inches		Millimeters	
	Min.	Max.	Min.	Max.		Min.	Max.	Min.	Max.
A	0.0079	0.0157	0.20	0.40	I	*0.0197	-	*0.50	-
B	0.0591	0.0669	1.50	1.70	J	0.0610	0.0650	1.55	1.65
C	0.0118	0.0197	0.30	0.50	K	0.0276	0.0315	0.70	0.80
D	0.0295	0.0335	0.75	0.85	L	0.0224	0.0248	0.57	0.63
E	0.0118	0.0197	0.30	0.50	M	0.0020	0.0059	0.05	0.15
F	0.0039	0.0118	0.10	0.30	N	0.0039	0.0118	0.10	0.30
G	0.0039	0.0118	0.10	0.30	O	0	0.0031	0	0.08
H	*0.0197	-	*0.50	-					

Notes: 1.Controlling dimension: millimeters.
 2.Maximum lead thickness includes lead finish thickness, and minimum lead thickness is the minimum thickness of base material.
 3.If there is any question with packing specification or packing method, please contact your local CYStek sales office.

Material:

- Lead: Pure tin plated.
- Mold Compound: Epoxy resin family, flammability solid burning class: UL94V-0.

Important Notice:

- All rights are reserved. Reproduction in whole or in part is prohibited without the prior written approval of CYStek.
- CYStek reserves the right to make changes to its products without notice.
- CYStek **semiconductor products are not warranted to be suitable for use in Life-Support Applications, or systems.**
- CYStek assumes no liability for any consequence of customer product design, infringement of patents, or application assistance.